

MA5000-2-S-C/G DUAL MONITOR ARM

MA5000



With its sleek lines and state-of-the-performance, the MA5000 monitor arm defines viewing comfort and style for users of computer flat screens. Both arms on the dual arm can be adjusted simultaneously, allowing users to instantly re-position the screens for optimum comfort and productivity.



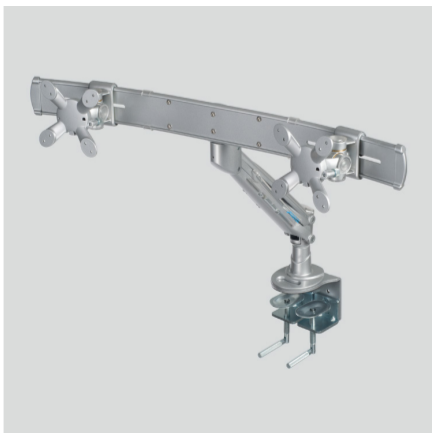
MA5000-2-S-C/G DUAL MONITOR ARM

MA5000



FEATURES

- Smooth gas lift height adjustment
- User can adjust the position of the monitor as their viewing needs change
- Articulating arm allows the monitor to fold back to the pole to create more desk space
- Cable manager keep cables neatly organized
- Quick connect brackets provide fast and easy monitor mounting
- Choice of clamp or grommet mount



SPECIFICATIONS

- 17.6 lb to 33 lb weight capacity
- 17.5 height range
- 19.5" arm length
- LEED® eligible
- Silver, White or Black finishes
- Limited lifetime warranty